

# RENATA

## SPECIFICATION SHEET

The Renata accent table series has a clean and contemporary design that features integrated shelving and a durable laminate finish that sits on top of an indestructible moisture resistant ABS base, allowing for installation on any type of flooring.

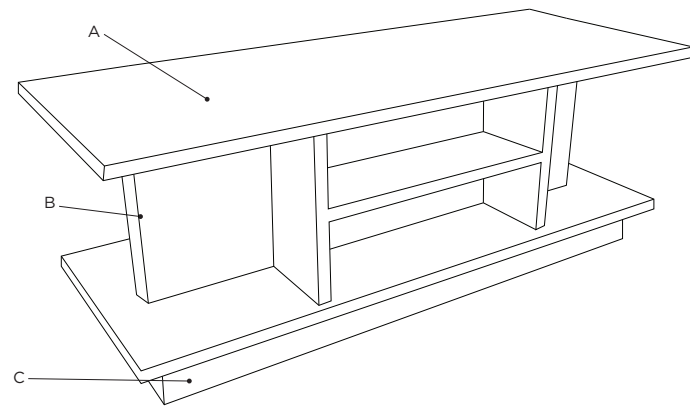
The Renata series comes in straight edge or curved edge options.



### MATERIAL OPTIONS

See resources page for additional information.

- (A) Top**  
Laminate (L)
- (B) Shelving & Support**  
Laminate (L)
- (C) Base**  
ABS (A)



### UPGRADE OPTIONS

- Power (PR)
- Other Request (OQ)

## STRAIGHT TABLE

MODEL # REN60T

### DIMENSIONS

Length: 60"  
Depth: 24"  
Height: 22"



## CURVED TABLE

MODEL # RENC60T

### DIMENSIONS

Length: 60"  
Depth: 39"  
Height: 22"



### GET A QUOTE

Submit the following product information to [contactus@fcius.com](mailto:contactus@fcius.com) for a quote.

1. Series | 2. Model # | 3. Material Options and Grade Selections | 4. Upgrade Options | 5. Quantity