

TOTER

SPECIFICATION SHEET

The Toter series features an aluminum frame with powder coat finish. The waste enclosure has capacity for a 20-gallon bags.



MODEL #TOT25

DIMENSIONS

Length: 25"
 Depth: 25"
 Height: 52 5/8"



MODEL #TOT17R

DIMENSIONS

Length: 17"
 Depth: 24"
 Height: 39 1/2"



MATERIAL OPTIONS

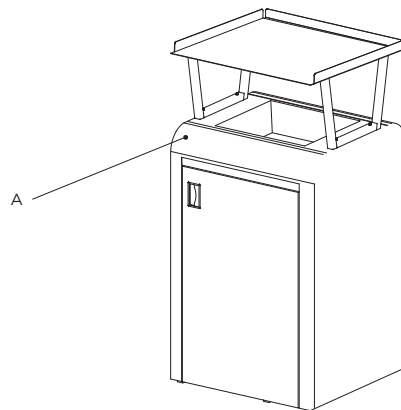
See resources page for additional information.

(A) All

Aluminum (A)

UPGRADE OPTIONS

Other Request (OQ)



GET A QUOTE

Submit the following product information to contactus@fcius.com for a quote.

1. Series | 2. Model # | 3. Material Options and Grade Selections | 4. Upgrade Options | 5. Quantity