

VENICE

SPECIFICATION SHEET

The Venice booth series is a very clean and sleek design. It is fully upholstered with exposed metal legs. The z-spring seat and Hi-Resilience Foam (HRF) smooth back are standard.

DIMENSIONS

Sizes listed are standard sizes.
All sizes can be customized.
Length: 48", 60", 72"
Depth: 25"
Height: 36", 42", 48", 52"
Seat Height: 18"

MATERIAL OPTIONS

See resources page for additional information.

(A) Back Cushion

Upholstery (U)

(B) Seat

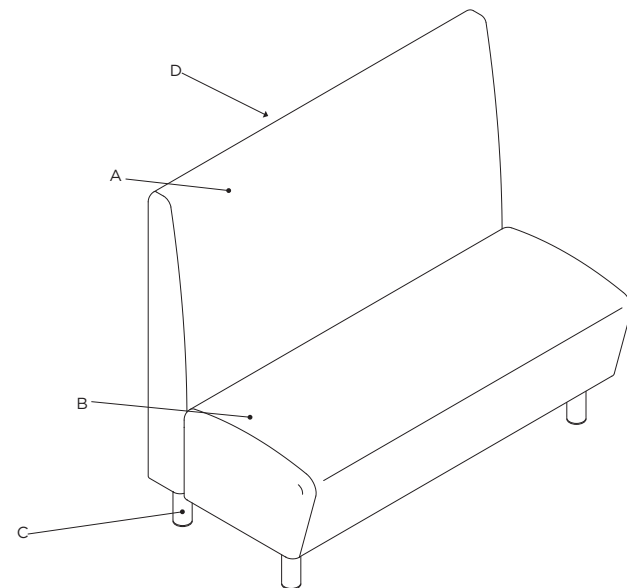
Upholstery (U)

(C) Legs (Square or Round)

Black Matte Metal (M)

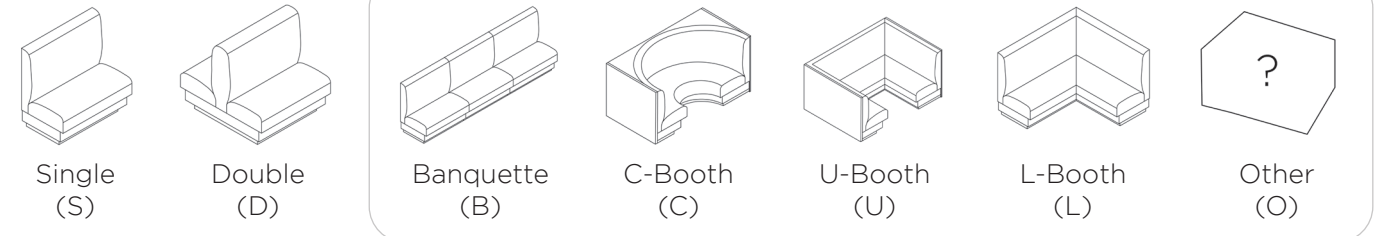
(D) Optional Finished Outside Back

Upholstery (U), None (N)

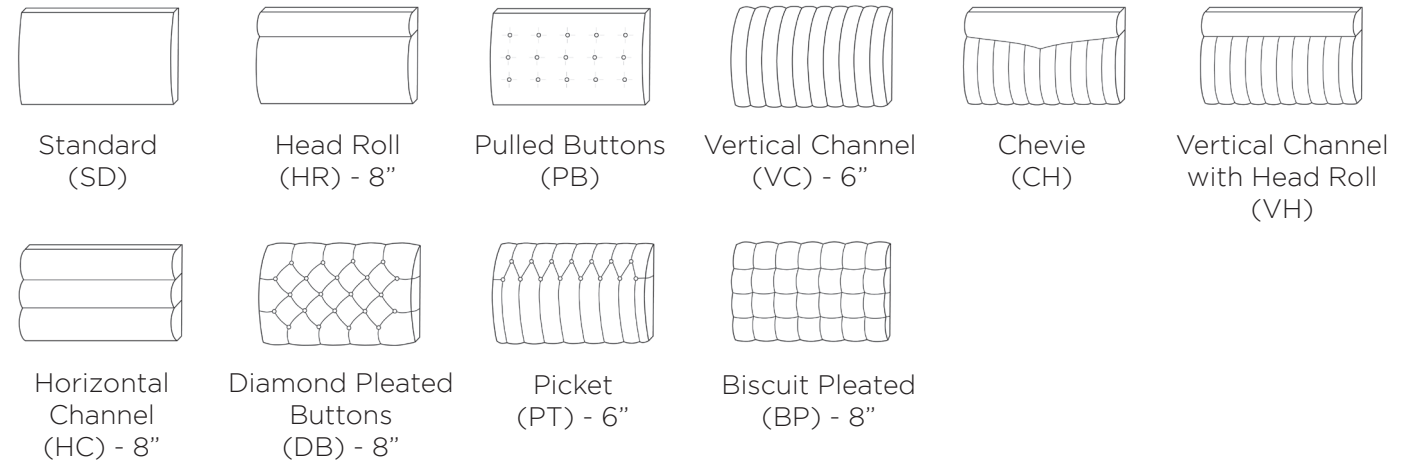


BOOTH SHAPES

These booth shapes are custom built booths to location size specifications.



BACK UPHOLSTERY STYLE AND TUFTING SIZE



UPGRADE OPTIONS

Custom Metal Color (CM) Other Custom Request (OQ) Brushed Steel Leg (BL)

GET A QUOTE

Submit the following product information to contactus@fcius.com for a quote.

1. Series Name | 2. Size (L-H) | 3. Booth Shape | 4. Material Options and Grade Selections
5. Upgrade Options | 6. Quantity