

SAVONA

SPECIFICATION SHEET

The Savona booth series features an option of seating in fiberglass or durable foam with straight sides, upholstered back cushion, and metal legs and frame.

DIMENSIONS

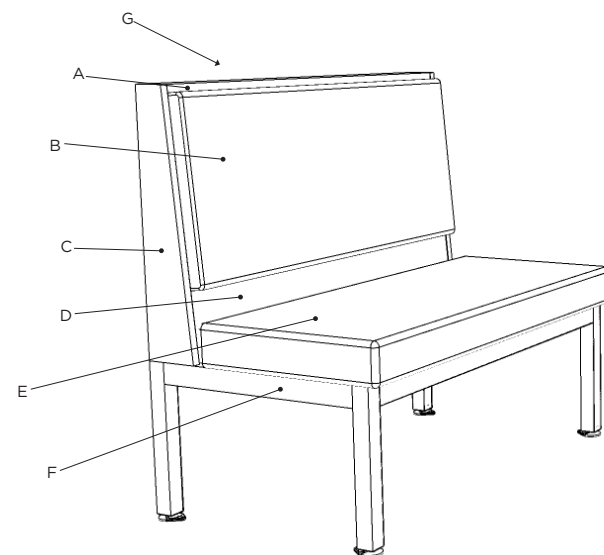
Sizes listed are standard sizes.
All sizes can be customized.
Length: 43 1/2"
Depth: 24"
Height: 39"
Seat Height: 18 1/4"



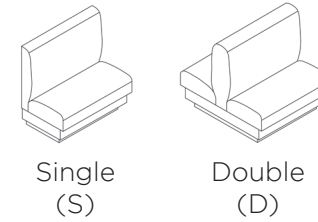
MATERIAL OPTIONS

See resources page for additional information.

- (A) Top Cap**
Laminate (L)
- (B) Back Cushion**
Upholstery (U)
- (C) End Caps**
Laminate (L)
- (D) Back Panel**
Laminate (L)
- (E) Seat**
Upholstery (U), Fiberglass (F)
- (F) Legs & Frame**
Metal (M)
- (G) Optional Finished Outside Back**
Laminate (L)



BOOTH SHAPES



BACK UPHOLSTERY STYLE



UPGRADE OPTIONS

Custom Metal Color (CM) Other Custom Request (OQ)

GET A QUOTE

Submit the following product information to contactus@fcius.com for a quote.

1. Series Name | 2. Size (L-H) | 3. Booth Shape | 4. Material Options and Grade Selections
5. Upgrade Options | 6. Quantity