

TUSCANY

SPECIFICATION SHEET



The Tuscan booth series is an upholstered design. The walled back with split pillow provides a modern appearance and the ability to divide an area. The z-spring seat and Hi Resilient Foam (HRF) split-back cushion come standard.

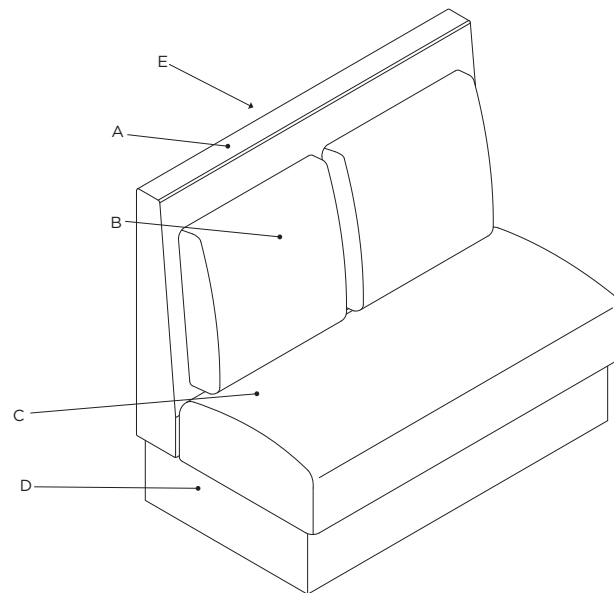
DIMENSIONS

Sizes listed are standard sizes.
All sizes can be customized.
Length: 48", 60", 72"
Depth: 27"
Height: 48", 52"
Seat Height: 18"

MATERIAL OPTIONS

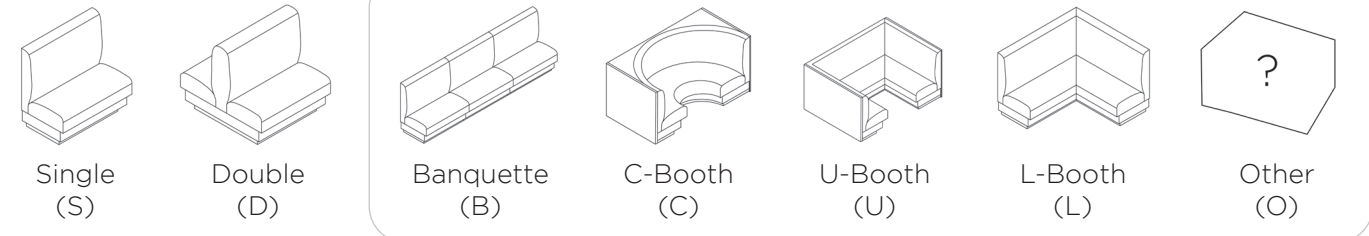
See resources page for additional information.

- (A) Back Panel**
Upholstery (U)
- (B) Back Cushion**
Upholstery (U)
- (C) Seat**
Upholstery (U)
- (D) Toe Kick**
ABS (A), None (N)
- (E) Optional Finished Outside Back**
Upholstery (U), None (N)



BOOTH SHAPES

These booth shapes are custom built booths to location size specifications.



BACK UPHOLSTERY STYLE AND TUFTING SIZE



Standard (SD)

UPGRADE OPTIONS

Power (PR) Other Custom Request (OQ)

GET A QUOTE

Submit the following product information to contactus@fcious.com for a quote.

1. Series Name | 2. Size (L-H) | 3. Booth Shape | 4. Material Options and Grade Selections
5. Upgrade Options | 6. Quantity