

TITAN

SPECIFICATION SHEET

The Titan series are straight, single or double-sided booths featuring a durable fiberglass seat and optional upholstered back.



DIMENSIONS

Sizes listed are standard sizes.
All sizes can be customized for upholstered booth.
Length: 24", 42", 60", 80, and 90"
Depth: 24"
Height: 36"
Seat Height: 18"

MATERIAL OPTIONS

See resources page for additional information.

(A) Optional Back Cushion

Upholstery (U)

(B) Seat

Fiberglass (FG)

(C) Back Panel

Laminate with PVC Edge (L)

(D) Apron

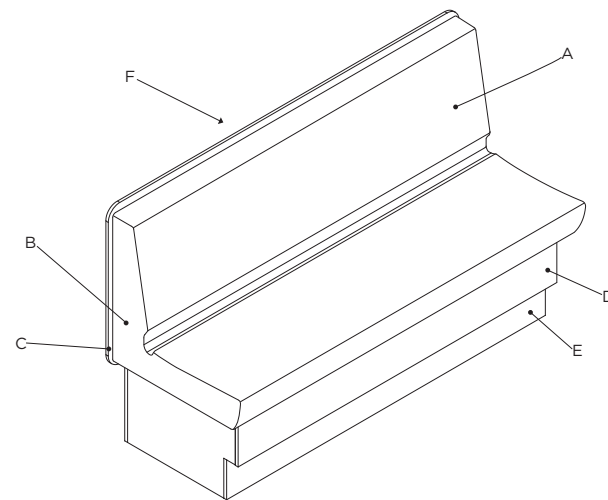
Wood (W), ABS (A), Laminate (L), Raw (R)

(E) Toe Kick

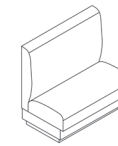
Wood (W), ABS (A), Laminate (L), Raw (R)

(F) Finished Outside Back

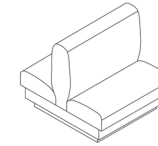
Laminate (L)



BOOTH SHAPES



Single (S)



Double (D)

BACK UPHOLSTERY STYLE



Standard (SD)

UPGRADE OPTIONS

Upholstered Back Pad (UB)

Legs (LG)

Power with Apron Base (PR)
Other Custom Request (PQ)

GET A QUOTE

Submit the following product information to contactus@fcius.com for a quote.

1. Series Name | 2. Size (L-H) | 3. Booth Shape | 4. Material Options and Grade Selections
5. Upgrade Options | 6. Quantity