

# REVEL

## SPECIFICATION SHEET

The Revel booth series brings back a classic, retro style of booth seating with the metal trim. Revel comes standard with a choice of fiberglass or foam seating and a comfortable upholstered back cushion.



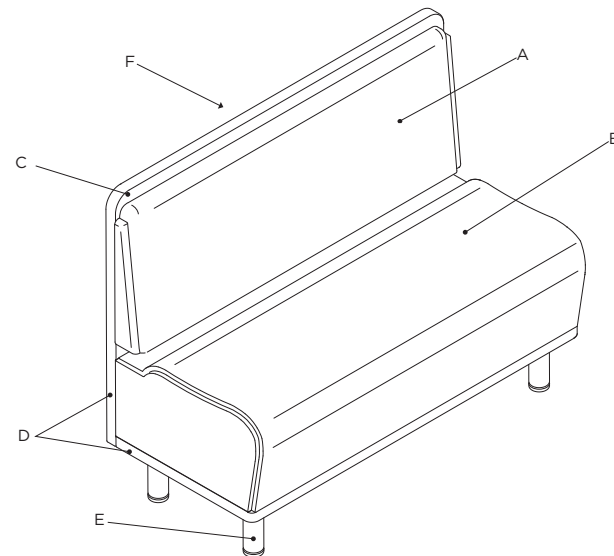
### DIMENSIONS

Sizes listed are standard sizes.  
All sizes can be customized for upholstered booth.  
Length: 45"  
Depth: 31 3/4"  
Height: 36"  
Seat Height: 18"

### MATERIAL OPTIONS

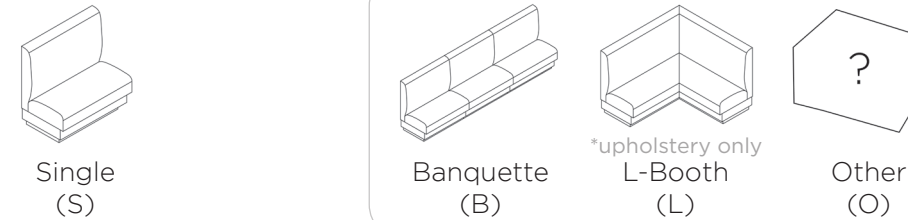
See resources page for additional information.

- (A) Back Cushion**  
Upholstery (U)
- (B) Seat**  
Fiberglass (G) or Upholstery (U)
- (C) Back**  
Laminate (L)
- (D) Panel Trim**  
Metal (M), T-Mold (T)
- (E) Legs (Square or Round)**  
Black Matte Metal (M)
- (F) Finished Outside Back**  
Laminate (L)

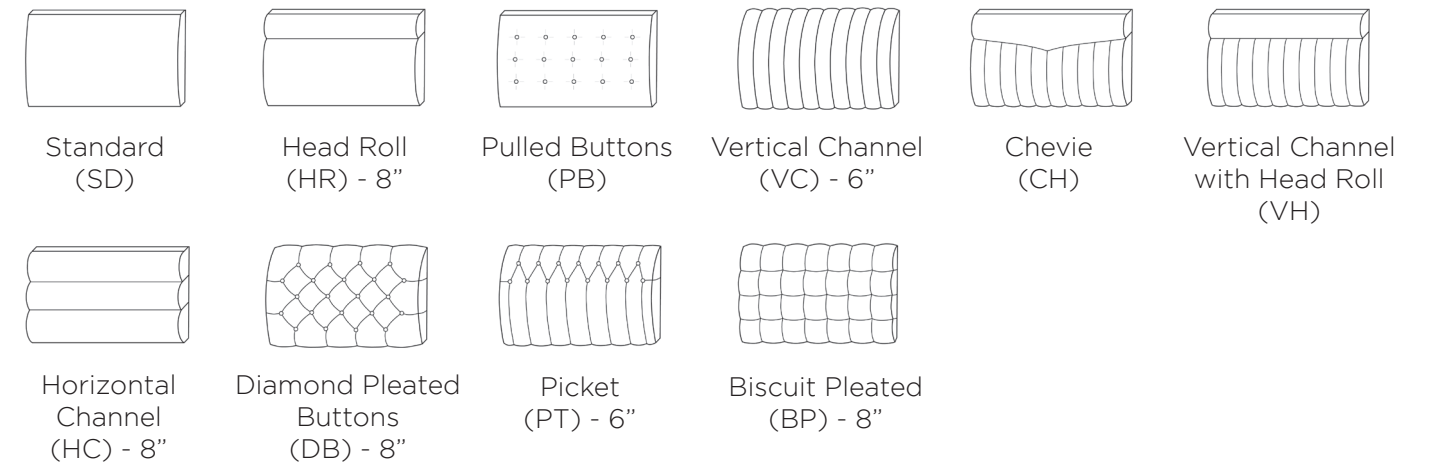


### BOOTH SHAPES

These booth shapes are custom built booths to location size specifications.



### BACK UPHOLSTERY STYLE AND TUFTING SIZE



### UPGRADE OPTIONS

- Custom Metal Color (CM)
- Other Custom Request (OQ)
- Brushed Steel Leg (BL)

### GET A QUOTE

Submit the following product information to [contactus@fcius.com](mailto:contactus@fcius.com) for a quote.

1. Series Name | 2. Size (L-H) | 3. Booth Shape | 4. Material Options and Grade Selections
5. Upgrade Options | 6. Quantity