



BUSSING CABINET

SPECIFICATION SHEET

The Bussing Cabinet is constructed of durable laminate and t-mold, and features a solid surface top with a waste receptacle, bussing tub and tray shelf. The base of the cabinet is metal on glides.



MODEL # CSC401

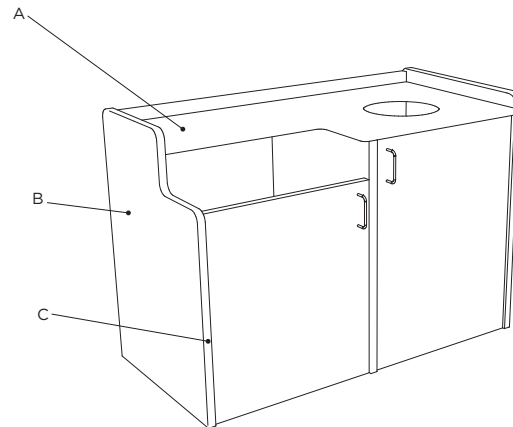
DIMENSIONS

- Length: 43 1/2"
- Depth: 23"
- Height: 35 1/2"
- Opening Height: 33 1/2"
- Opening Diameter: 8"

MATERIAL OPTIONS

See resources page for additional information.

- (A) Top**
Solid Surface (SS)
- (B) Side**
Laminate (L)
- (C) Edge**
T-Mold (TM)



UPGRADE OPTIONS

- Casters (C)
- Other Request (OQ)

GET A QUOTE

Submit the following product information to contactus@fcius.com for a quote.

1. Series
2. Model #
3. Material Options and Grade Selections
4. Upgrade Options
5. Quantity

