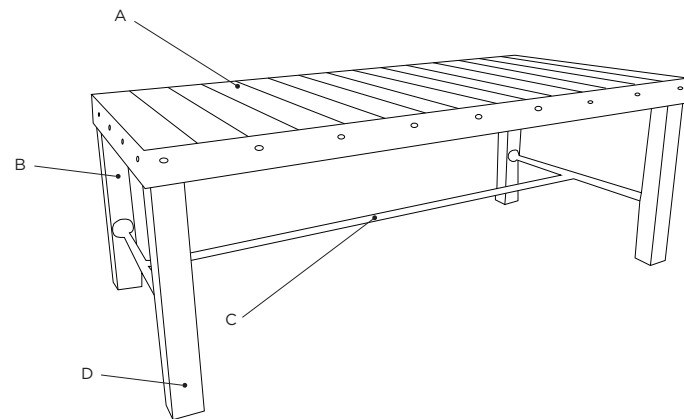


ALAMEDA

SPECIFICATION SHEET

Alameda community tables feature durable metal or wooden legs and trim along with a sturdy wood plank top.



MATERIAL OPTIONS

See resources page for additional information.

- (A) Top**
Wood (W)
- (B) Frame**
Metal (M)
- (C) Crossbar**
Metal (M)
- (D) Legs**
Metal (M) or Wood (W)

UPGRADE OPTIONS

Other Request (OQ)

GET A QUOTE

Submit the following product information to contactus@fcius.com for a quote.

1. Series | 2. Model # | 3. Material Options and Grade Selections | 4. Upgrade Options | 5. Quantity

COMMUNITY TABLE

MODEL # ALA60M

DIMENSIONS

Length: 60"
Depth: 36"
Height: 30"



MODEL # ALA60W

DIMENSIONS

Length: 60"
Depth: 36"
Height: 30"



MODEL # ALA72M

DIMENSIONS

Length: 72"
Depth: 36"
Height: 30"



MODEL # ALA72W

DIMENSIONS

Length: 72"
Depth: 36"
Height: 30"



MODEL # ALA96M

DIMENSIONS

Length: 96"
Depth: 36"
Height: 30"



MODEL # ALA96W

DIMENSIONS

Length: 96"
Depth: 36"
Height: 30"



GET A QUOTE

Submit the following product information to contactus@fcius.com for a quote.

1. Series | 2. Model # | 3. Material Options and Grade Selections | 4. Upgrade Options | 5. Quantity