

CODA

SPECIFICATION SHEET

The Coda series computer table features a laminate inset top and a frame made of 1" metal square tubing.



ACCENT TABLE

MODEL # COD19

DIMENSIONS

Length: 12"
Depth: 19"
Height: 24"

MATERIAL OPTIONS

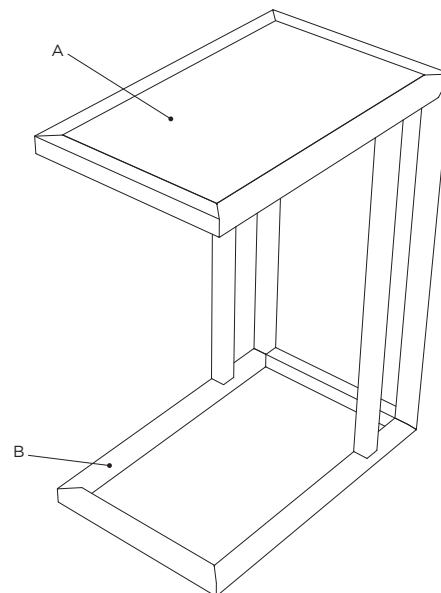
See resources page for additional information.

(A) Top

Laminate (L)

(B) Frame

Metal (M)



UPGRADE OPTIONS

Other Request (OQ)