



# AXEL

## SPECIFICATION SHEET

The Axel outdoor series is a popular style outdoor bench that can be used in a variety of spaces. The back and seat are made with a high density polyethylene product great for outdoor applications. The frame is a 2"x2" square powder-coated aluminum tubing with a rigid formed channel and extra brace supports for the longer widths.



### BENCH

MODEL #AXE

### DIMENSIONS

- Length: 42", 60", 72", or 96"
- Seat Slat Depth: 14 1/2"
- Overall Depth: 21"
- Seat Height: 18"
- Overall Height: 36"

### MATERIAL OPTIONS

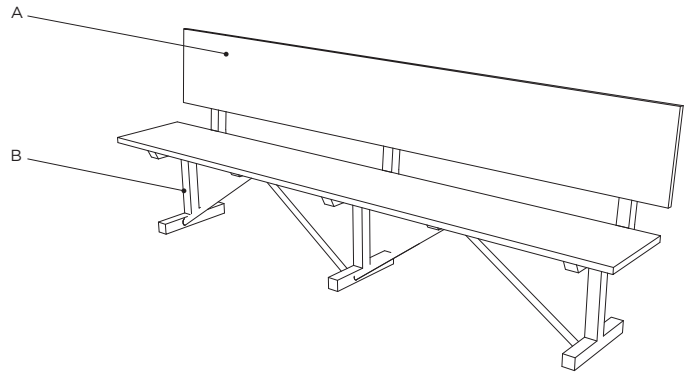
See resources page for additional information.

#### (A) Seat & Back

Starboard (SB)

#### (B) Frame

Aluminum (A)



### UPGRADE OPTIONS

- Teak Wood (TW)
- Other Request (OQ)

### GET A QUOTE

Submit the following product information to [contactus@fcius.com](mailto:contactus@fcius.com) for a quote.

1. Series
2. Model #
3. Material Options and Grade Selections
4. Upgrade Options
5. Quantity

