



ASPEN

SPECIFICATION SHEET

The Aspen series is a versatile outdoor bench that features horizontal slats made of 100% recycled material. The waterproof outdoor composite material is supported by a 2"x2" square powder-coated aluminum tubing with a rigid formed channel.



BENCH

MODEL #ASP

DIMENSIONS

Length: 42" or 60"
Depth: 20"
Seat Height: 18"

MATERIAL OPTIONS

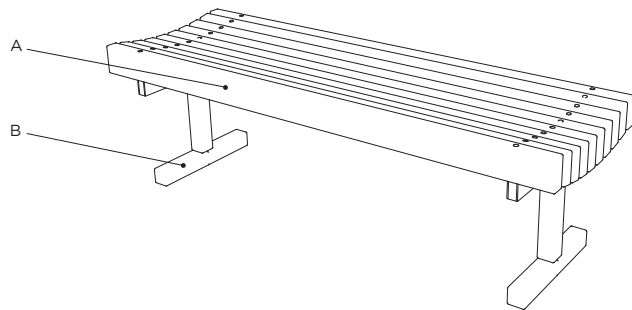
See resources page for additional information.

(A) Seat

Composite (CP)

(B) Frame

Steel (S)



GET A QUOTE

Submit the following product information to contactus@fcius.com for a quote.

1. Series | 2. Model # | 3. Material Options and Grade Selections | 4. Upgrade Options | 5. Quantity

