



# AKIRA

## SPECIFICATION SHEET

The Akira series is a popular style outdoor bench that can be used in many different applications. The back and seat are made from 100% recycled material and the frame is constructed in aluminum.



### BENCH

MODEL #AKI

### DIMENSIONS

Length: 42", 60", 72", or 96"  
Depth: 20"  
Seat Height: 18"  
Overall Height: 36"

### MATERIAL OPTIONS

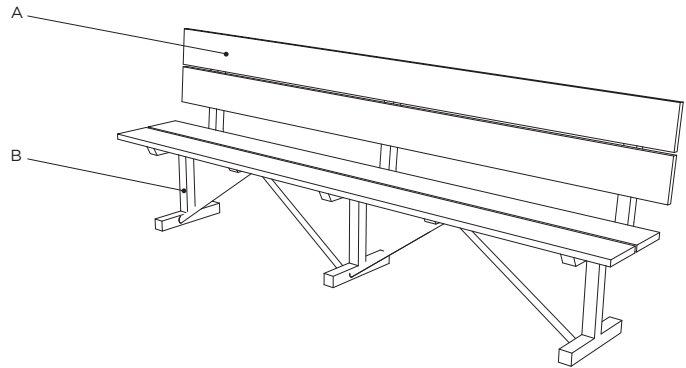
See resources page for additional information.

#### (A) Seat & Back

Composite (CP)

#### (B) Frame

Aluminum (A)



### UPGRADE OPTIONS

Teak Wood (TW)  
Other Request (OQ)

### GET A QUOTE

Submit the following product information to [contactus@fcius.com](mailto:contactus@fcius.com) for a quote.

1. Series | 2. Model # | 3. Material Options and Grade Selections | 4. Upgrade Options | 5. Quantity

