

MADRONE

SPECIFICATION SHEET

The Madrone outdoor series works great for any outdoor space to provide comfort and functionality.

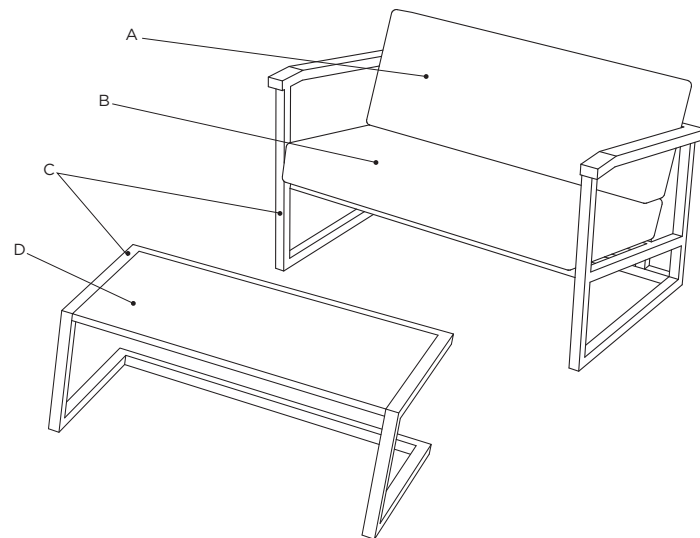
The Madrone series features a durable aluminum frame with a comfortable upholstered seat and back. The tables include an outdoor composite top.



MATERIAL OPTIONS

See resources page for additional information.

- (A) Back Cushion**
Upholstery (U)
- (B) Seat Cushion**
Upholstery (U)
- (C) Frame**
Metal (M)
- (D) Table Top**
Composite (CP)



UPGRADE OPTIONS

Other Request (OQ)

LOVESEAT

MODEL #MADR51

DIMENSIONS

Length: 51"
Seat Depth: 21"
Overall Depth: 33 5/32"
Seat Height: 18"
Overall Height: 32"



CHAIR

MODEL #MADR27

DIMENSIONS

Length: 27"
Seat Depth: 21"
Overall Depth: 33 5/32"
Seat Height: 18"
Overall Height: 32"



TABLE 43"

MODEL #MADR43T

DIMENSIONS

Width: 43"
Depth: 24"
Height: 16"



TABLE 24"

MODEL #MADR24T

DIMENSIONS

Width: 24"
Depth: 24"
Height: 16"



GET A QUOTE

Submit the following product information to contactus@fcius.com for a quote.

1. Series | 2. Model # | 3. Material Options and Grade Selections | 4. Upgrade Options | 5. Quantity