



BRAXTON

SPECIFICATION SHEET

The Braxton chair series is stylish and made to withstand the toughest environments. It is strengthened by a laser cut solid steel, one-piece frame, skirted with solid wood.

The seat is made of a high-quality web construction for comfort. The seat and back are fully upholstered. Nylon glides come standard.



CHAIR

MODEL #BRAX

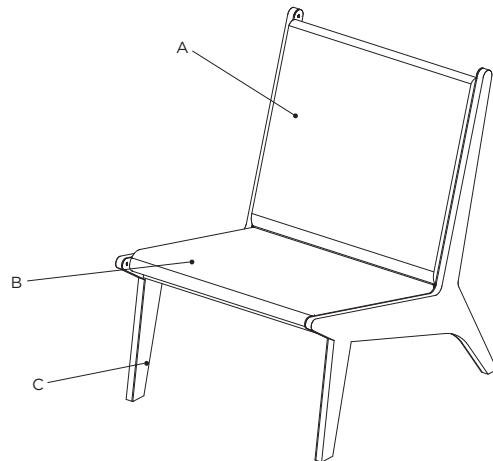
DIMENSIONS

- Width: 25 3/4"
- Seat Depth: 29"
- Seat Height: 18"
- Overall Height: 34 1/2"

MATERIAL OPTIONS

See resources page for additional information.

- (A) Back**
Upholstery (U)
- (B) Seat**
Upholstery (U)
- (C) Frame**
Wood (W)



UPGRADE OPTIONS

Other Request (OQ)

GET A QUOTE

Submit the following product information to contactus@fcius.com for a quote.

- 1. Series | 2. Model # | 3. Material Options and Grade Selections | 4. Upgrade Options | 5. Quantity

