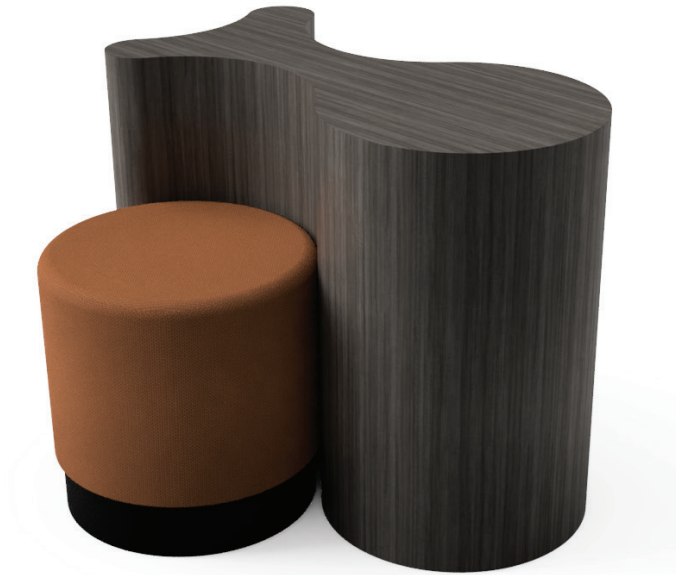


LINX

SPECIFICATION SHEET

The Linx series includes modular laminate tables and upholstered stools. The tables have a unique shape that can be linked end to end to create interesting configurations in a large collaborative space. The upholstered stool nests right into the curvature of the table for a great look.

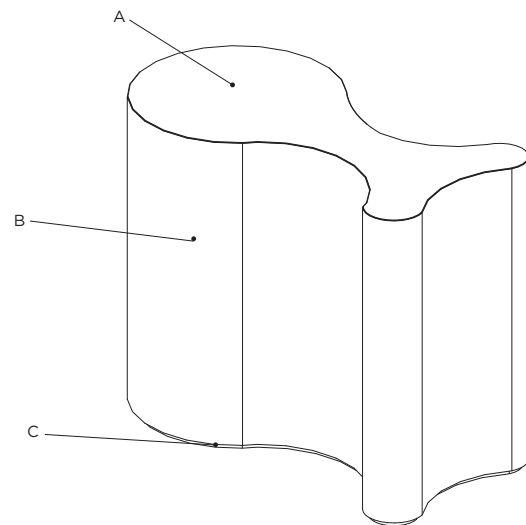
The table and stool have a black solid ABS composite material on the base that protects the laminate from moisture and chipping. Unlike glides, this ABS does not get knocked off when moving it on abrasive flooring.



MATERIAL OPTIONS

See resources page for additional information.

- (A) Top**
Laminate (L)
- (B) Side**
Laminate (L)
- (C) Toe Kick**
ABS (A)



UPGRADE OPTIONS

- Solid Surface Top (SS)
- Other Request (OQ)

STOOL

MODEL #LIN17

DIMENSIONS

Diameter: 17"
Overall Height: 18"



TABLE

MODEL #LIN28-TABLE

DIMENSIONS

Length: 35"
Overall Depth: 18"
Overall Height: 28"



TABLE

MODEL #LIN24-TABLE

DIMENSIONS

Length: 35"
Overall Depth: 18"
Overall Height: 24"



GET A QUOTE

Submit the following product information to contactus@fcius.com for a quote.

1. Series | 2. Model # | 3. Material Options and Grade Selections | 4. Upgrade Options | 5. Quantity