

CALYPSO

SPECIFICATION SHEET

The Calypso booth series features durable foam seating, wood end cap accents and upholstery that wraps over the top edge.



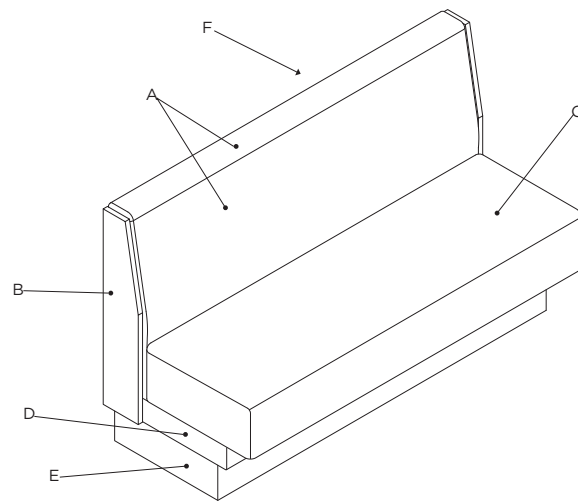
DIMENSIONS

Sizes listed are standard sizes.
All sizes can be customized.
Length: 48", 60", 72"
Depth: 24"
Height: 36", 42", 48"
Seat Height: 18"

MATERIAL OPTIONS

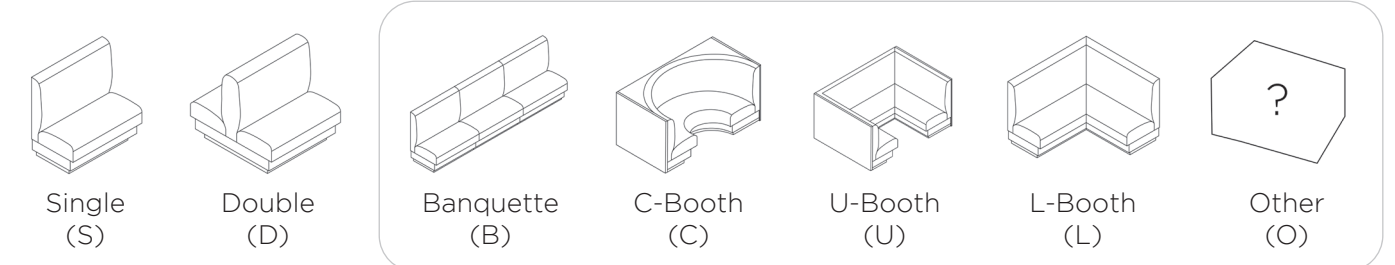
See resources page for additional information.

- (A) Back**
Upholstery (U)
- (B) End Caps**
Laminate (L), Wood (W),
Upholstery (U)
- (C) Seat**
Upholstery (U)
- (D) Apron**
Wood (W), Laminate (L),
Upholstery (U)
- (E) Toe Kick**
Wood (W), ABS (A), Laminate (L),
Raw (R)
- (F) Optional Finished Outside Back**
Upholstery (U), None (N)

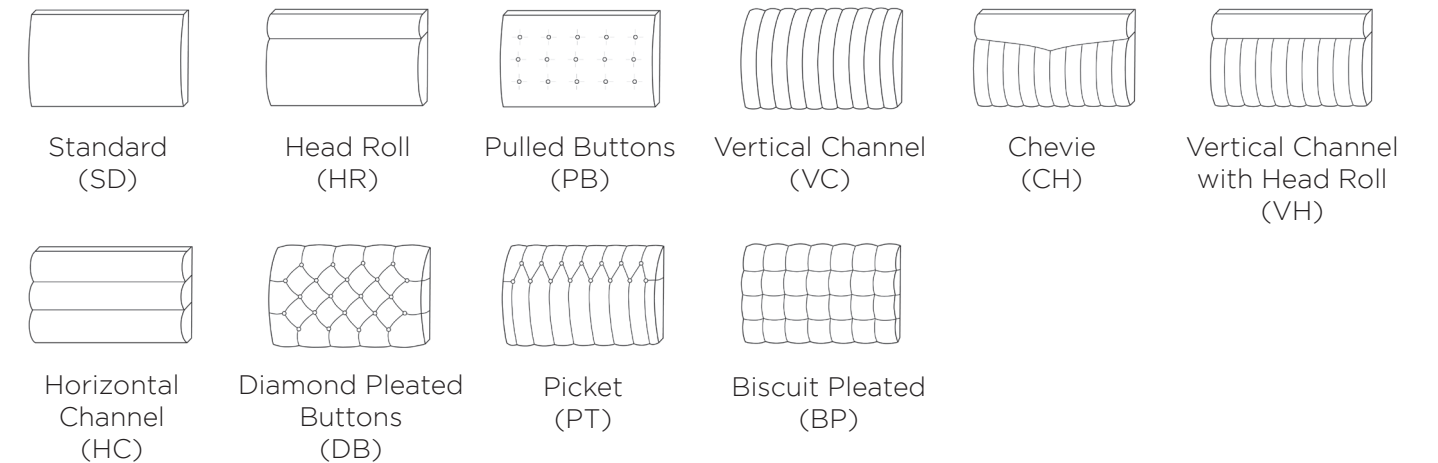


BOOTH SHAPES

These booth shapes are custom built booths to location size specifications.



BACK UPHOLSTERY STYLE



UPGRADE OPTIONS

- Fire Retardant (FR)
- Crumb Rail (CR)
- Legs (LG)
- Power (PR)
- Other Custom Request (OQ)

GET A QUOTE

Submit the following product information to contactus@fcius.com for a quote.

1. Series Name | 2. Size (L-H) | 3. Booth Shape | 4. Material Options and Grade Selections
5. Upgrade Options | 6. Quantity