

ELENA

SPECIFICATION SHEET

The Elena booth series delivers understated elegance for any space featuring a curved seat back. Z-spring seat and Hi-Resilient Foam (HRF) smooth back construction are standard.



DIMENSIONS

Sizes listed are standard sizes.
All sizes can be customized.
Length: 48", 60", 72"
Depth: 25"
Height: 36", 42", 48"
Seat Height: 18"

MATERIAL OPTIONS

See resources page for additional information.

(A) Back Cushion

Upholstery (U)

(B) End Caps

Upholstery (U)

(C) Seat

Upholstery (U)

(D) Apron

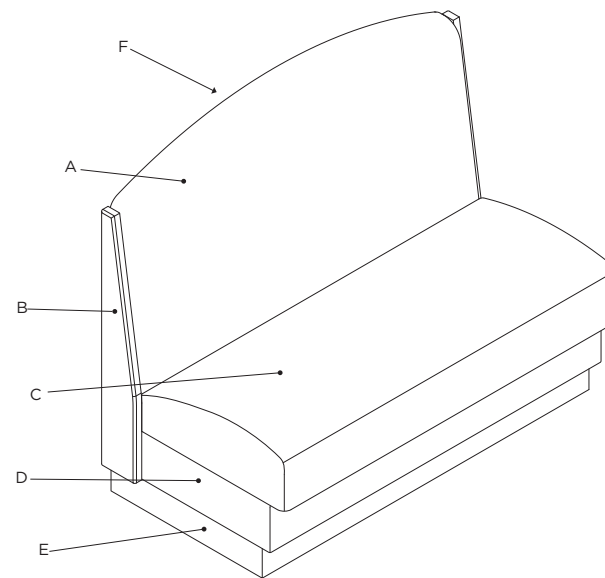
Upholstery (U)

(E) Toe Kick

ABS (A), Raw (R)

(F) Optional Finished Outside Back

Upholstery (U), None (N)

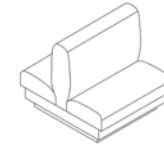


BOOTH SHAPES

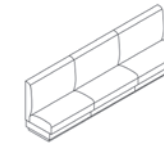
These booth shapes are custom built booths to location size specifications.



Single (S)



Double (D)



Banquette (B)

BACK UPHOLSTERY STYLE



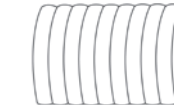
Standard (SD)



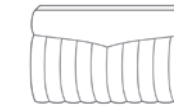
Head Roll (HR)



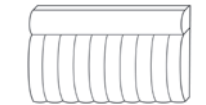
Pulled Buttons (PB)



Vertical Channel (VC)



Chevie (CH)



Vertical Channel with Head Roll (VH)



Horizontal Channel (HC)



Diamond Pleated Buttons (DB)



Picket (PT)



Biscuit Pleated (BP)

UPGRADE OPTIONS

Crumb Rail (CR)

Legs (LG)

Power (PR)

Other Custom Request (OQ)

GET A QUOTE

Submit the following product information to contactus@fcius.com for a quote.

1. Series Name | 2. Size (L-H) | 3. Booth Shape | 4. Material Options and Grade Selections
5. Upgrade Options | 6. Quantity