

# COMPASS

## SPECIFICATION SHEET

The Compass booth series is an upholstered design. The z-spring seat and Hi-Resilient Foam (HRF) smooth back construction are standard.



### DIMENSIONS

Sizes listed are standard sizes.  
All sizes can be customized.  
Length: 48", 60", 72"  
Depth: 25 1/4"  
Height: 36", 42", 48"  
Seat Height: 18"

### MATERIAL OPTIONS

See resources page for additional information.

**(A) Back Cushion**

Upholstery (U)

**(B) Seat**

Upholstery (U)

**(C) Apron**

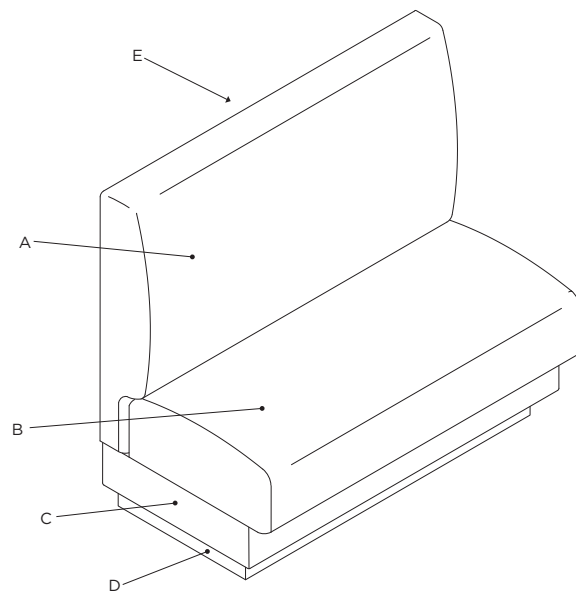
Wood (W), Laminate (L),  
Upholstery (U)

**(D) Toe Kick**

Wood (W), ABS (A), Laminate (L),  
Raw (R)

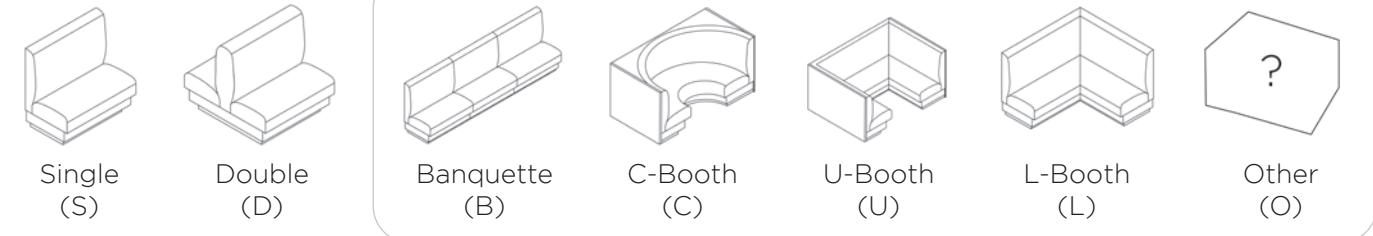
**(E) Optional Finished Outside Back**

Upholstery (U), None (N)

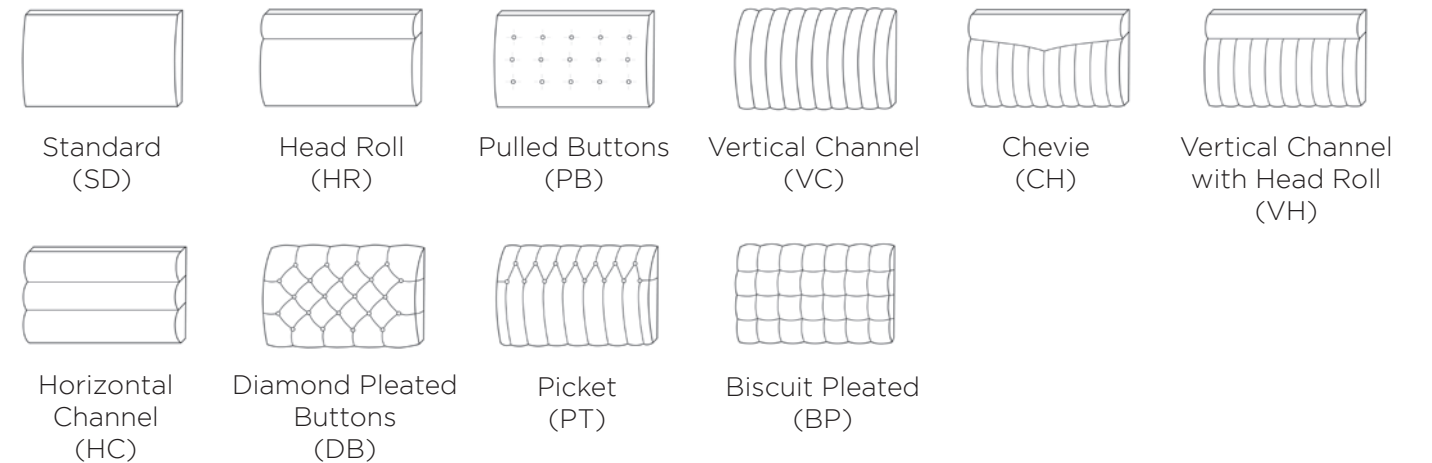


### BOOTH SHAPES

These booth shapes are custom built booths to location size specifications.



### BACK UPHOLSTERY STYLE



### UPGRADE OPTIONS

Crumb Rail (CR) Power (PR) Other Custom Request (OQ)

### GET A QUOTE

Submit the following product information to [contactus@fcius.com](mailto:contactus@fcius.com) for a quote.

1. Series Name | 2. Size (L-H) | 3. Booth Shape | 4. Material Options and Grade Selections
5. Upgrade Options | 6. Quantity