

CATALINA

SPECIFICATION SHEET

The Catalina booth series is a classic look that features upholstery seating and wood accents. The z-spring seat and Hi-Resilient Foam (HRF) smooth back construction are standard.

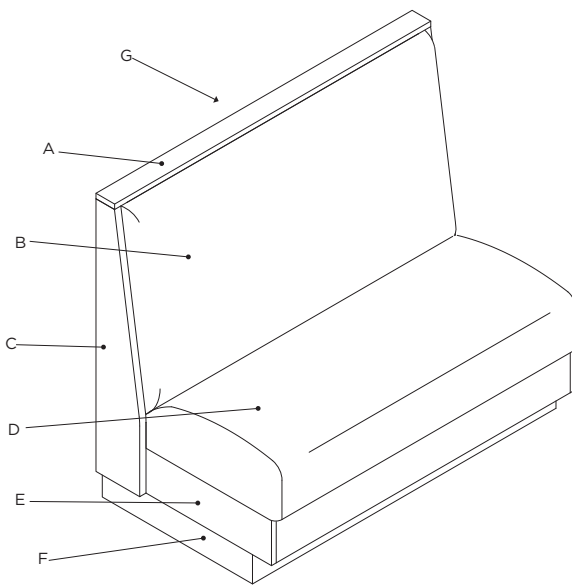
DIMENSIONS

Sizes listed are standard sizes.
All sizes can be customized.
Length: 48", 60", 72"
Depth: 24"
Height: 36", 42", 48"
Seat Height: 18"

MATERIAL OPTIONS

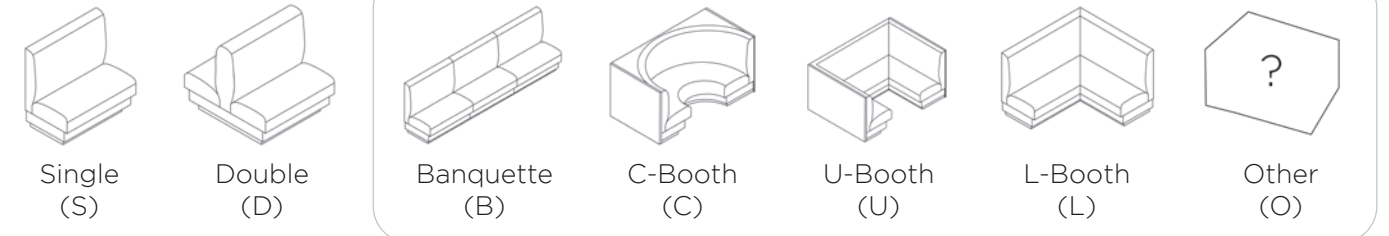
See resources page for additional information.

- (A) Top Cap**
Wood (W),
- (B) Back Cushion**
Upholstery (U)
- (C) End Caps**
Wood (W)
- (D) Seat**
Upholstery (U)
- (E) Apron**
Wood (W)
- (F) Toe Kick**
Wood (W), ABS (A), Laminate (L),
Raw (R)
- (G) Optional Finished Outside Back**
Wood Veneer (V), None (N)

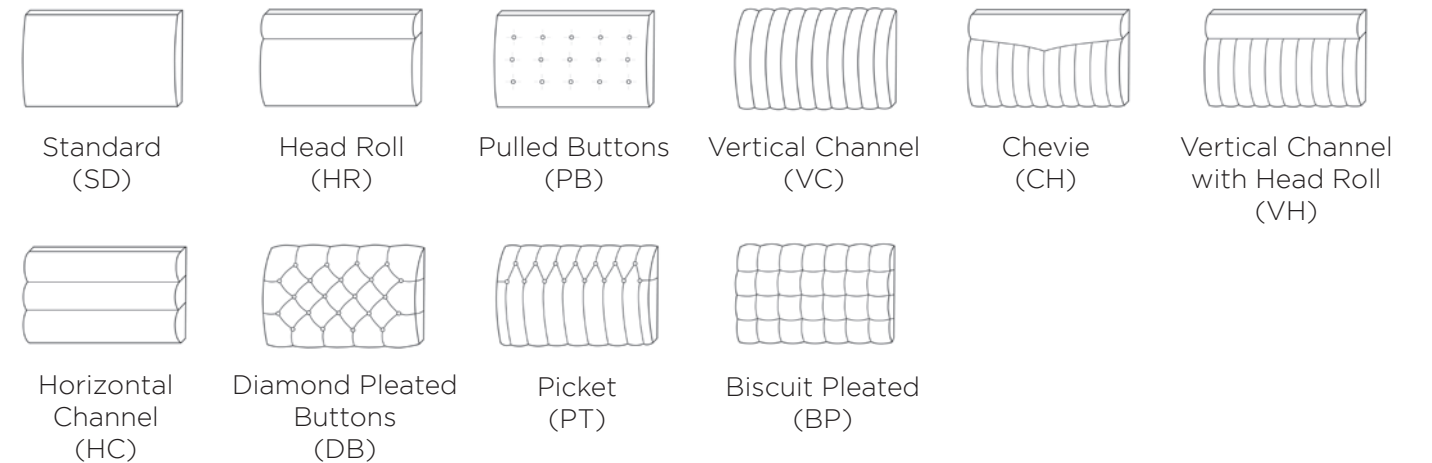


BOOTH SHAPES

These booth shapes are custom built booths to location size specifications.



BACK UPHOLSTERY STYLE



UPGRADE OPTIONS

- Crumb Rail (CR)
- Legs (LG)
- Power (PR)
- Other Custom Request (OQ)

GET A QUOTE

Submit the following product information to contactus@fcius.com for a quote.

1. Series Name | 2. Size (L-H) | 3. Booth Shape | 4. Material Options and Grade Selections
5. Upgrade Options | 6. Quantity