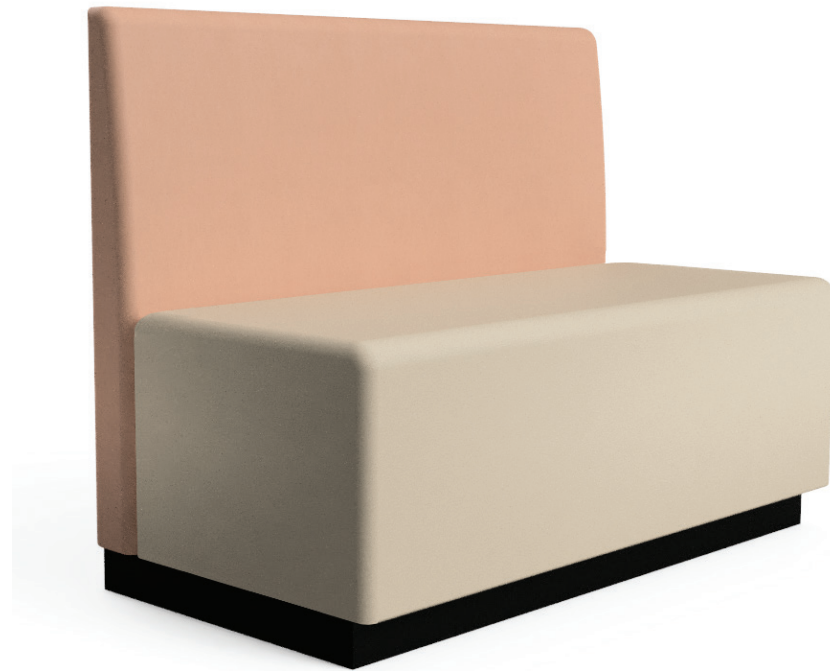


ASTI

SPECIFICATION SHEET

The Asti booth series is designed for comfort with style in high frequency seating settings. The Hi-Resilience Foam (HRF) seat and smooth back are standard.



DIMENSIONS

Sizes listed are standard sizes. All sizes can be customized.
 Length: 48", 60", 72"
 Depth: 23"
 Height: 36", 42", 48"
 Seat Height: 18"

MATERIAL OPTIONS

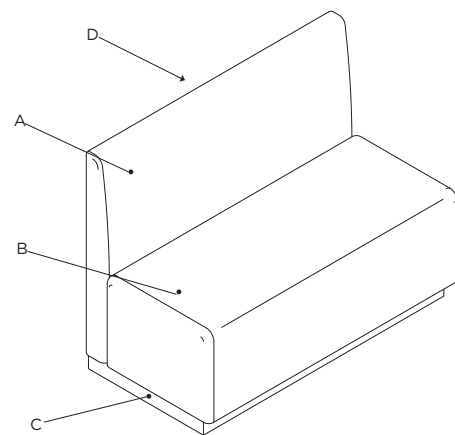
See resources page for additional information.

(A) Back Cushion
 Upholstery (U)

(B) Seat
 Upholstery (U)

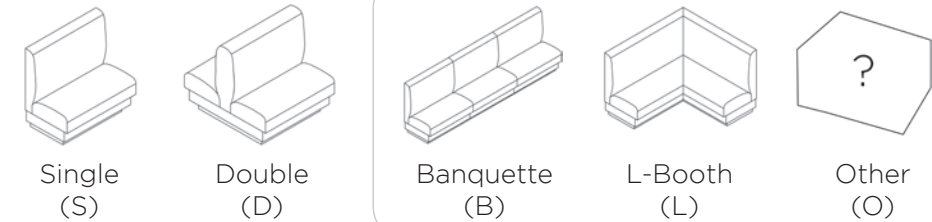
(C) Toe Kick
 Wood (W), ABS (A), Laminate (L), Raw (R)

(D) Optional Finished Outside Back
 Upholstery (U),

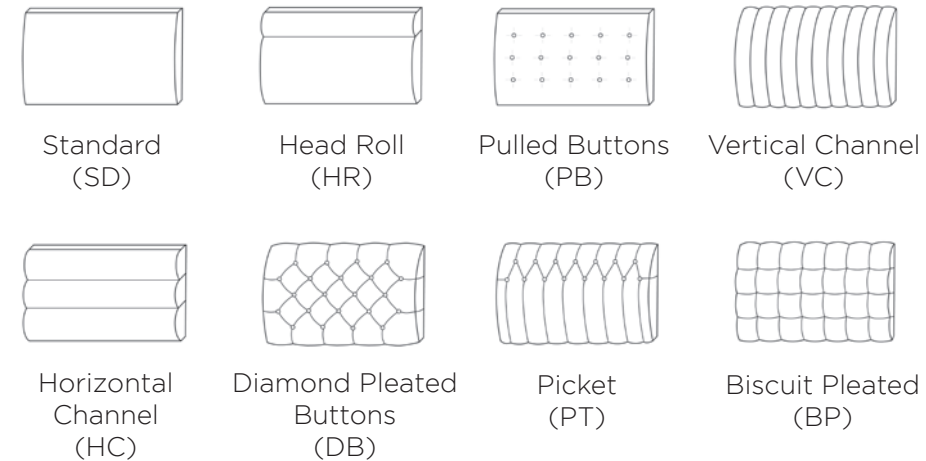


BOOTH SHAPES

These booth shapes are custom built booths to location size specifications.



BACK UPHOLSTERY STYLE



UPGRADE OPTIONS

Power (PR) Other Custom Request (OQ)

GET A QUOTE

Submit the following product information to contactus@fcius.com for a quote.

1. Series Name | 2. Size (L-H) | 3. Booth Shape | 4. Material Options and Grade Selections
5. Upgrade Options | 6. Quantity