

SERAPE

SPECIFICATION SHEET

The Serape booth series features comfortable upholstered, z-spring seating along with wood legs for a classy and sophisticated look.

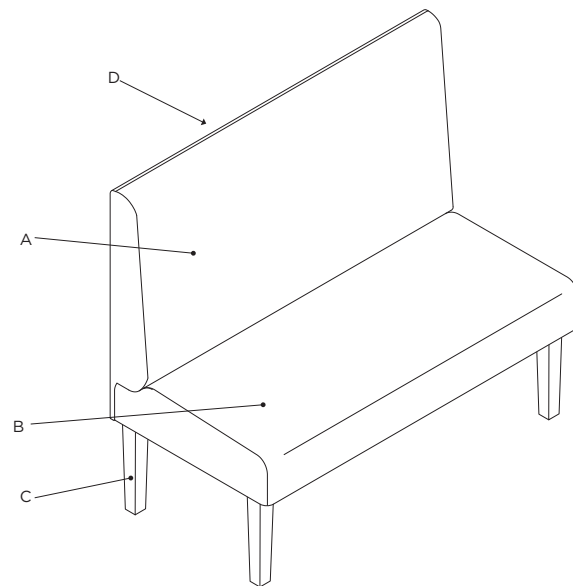
DIMENSIONS

Sizes listed are standard sizes.
All sizes can be customized.
Length: 48", 60", 80", 90"
Depth: 26"
Height: 42"
Seat Height: 18"

MATERIAL OPTIONS

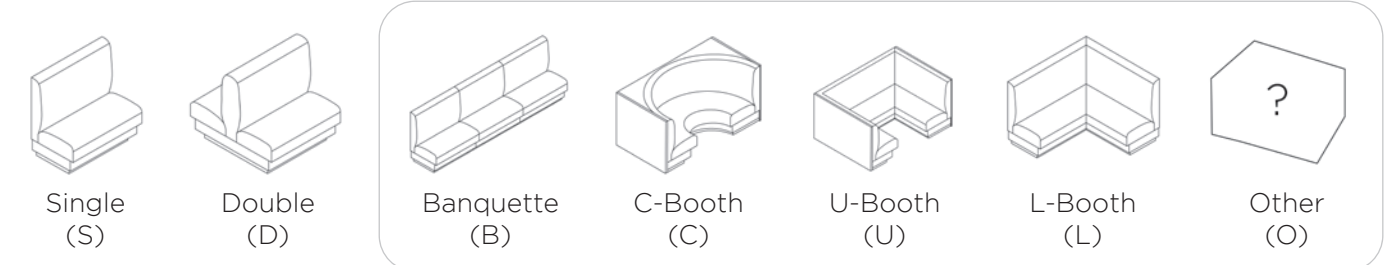
See resources page for additional information.

- (A) Back Cushion**
Upholstery (U)
- (B) Seat**
Upholstery (U)
- (C) Legs**
Wood (W)
- (D) Optional Finished Outside Back**
Upholstery (U), None (N)

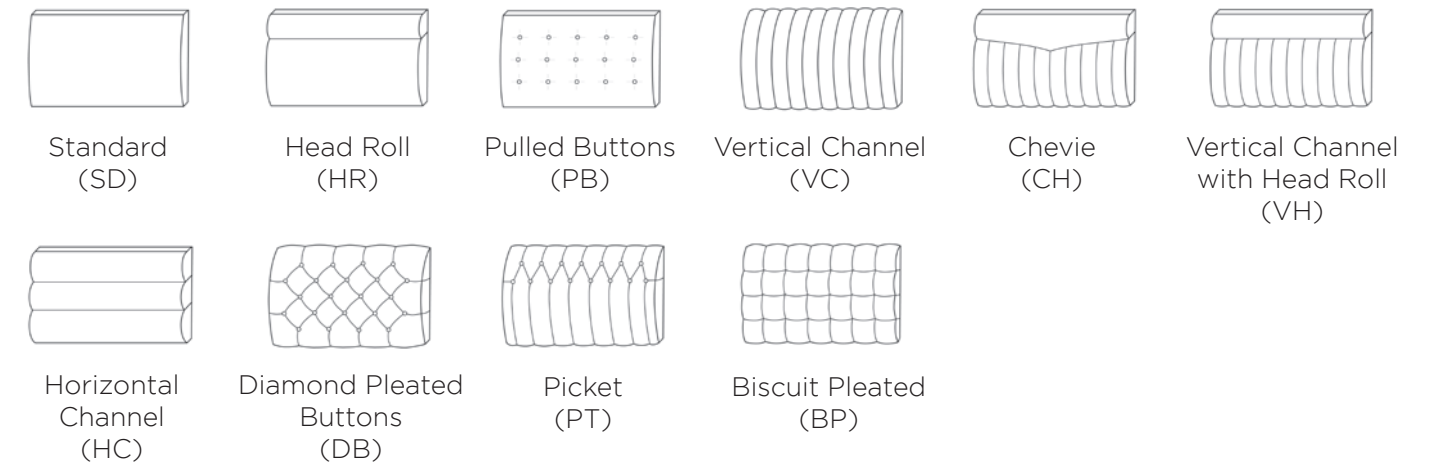


BOOTH SHAPES

These booth shapes are custom built booths to location size specifications.



BACK UPHOLSTERY STYLE



UPGRADE OPTIONS

Other Custom Request (OQ)

GET A QUOTE

Submit the following product information to contactus@fcious.com for a quote.

1. Series Name | 2. Size (L-H) | 3. Booth Shape | 4. Material Options and Grade Selections
5. Upgrade Options | 6. Quantity