

REVEL

SPECIFICATION SHEET

The Revel booth series brings back a classic, retro style of booth seating with the metal trim. Revel comes standard with a choice of fiberglass or foam seating and a comfortable upholstered back cushion.



DIMENSIONS

Sizes listed are standard sizes.
All sizes can be customized for upholstered booth.
Length: 45"
Depth: 31 3/4"
Height: 36"
Seat Height: 18"

MATERIAL OPTIONS

See resources page for additional information.

(A) Back Cushion

Upholstery (U)

(B) Seat

Fiberglass (G) or Upholstery (U)

(C) Back

Laminate (L)

(D) Panel Trim

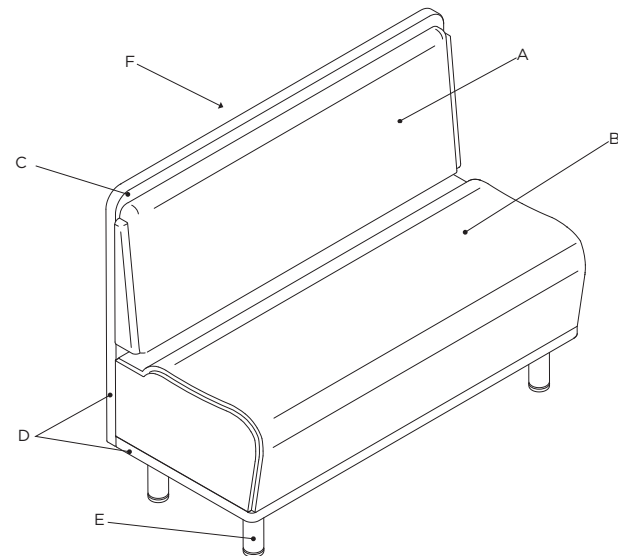
Metal (M), T-Mold (T)

(E) Legs

Metal (M)

(F) Finished Outside Back

Laminate (L)

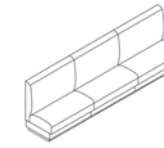


BOOTH SHAPES

These booth shapes are custom built booths to location size specifications.



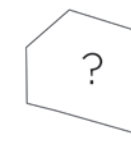
Single (S)



Banquette (B)



*upholstery only
L-Booth (L)



Other (O)

BACK UPHOLSTERY STYLE



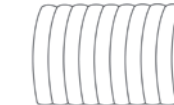
Standard (SD)



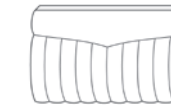
Head Roll (HR)



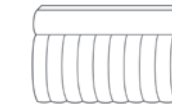
Pulled Buttons (PB)



Vertical Channel (VC)



Chevie (CH)



Vertical Channel with Head Roll (VH)



Horizontal Channel (HC)



Diamond Pleated Buttons (DB)



Picket (PT)



Biscuit Pleated (BP)

UPGRADE OPTIONS

Custom Metal Color (CM)

Other Custom Request (OQ)

GET A QUOTE

Submit the following product information to contactus@fcius.com for a quote.

1. Series Name | 2. Size (L-H) | 3. Booth Shape | 4. Material Options and Grade Selections
5. Upgrade Options | 6. Quantity